

ENLIGHTEN

启蒙

城市系列之 Road Wrecker

公路清障车

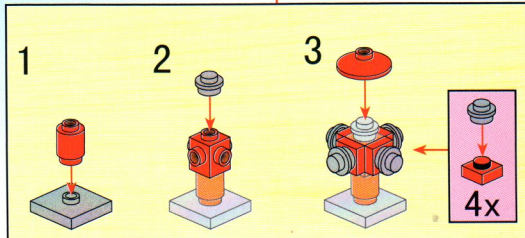
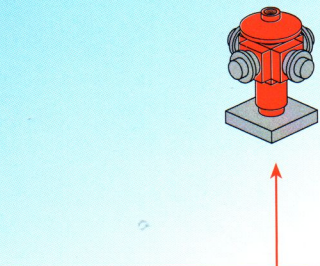
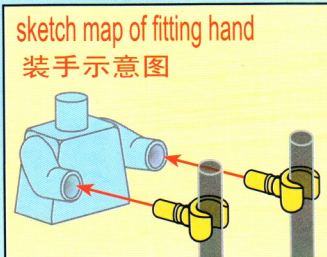
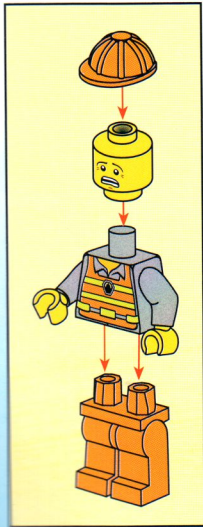
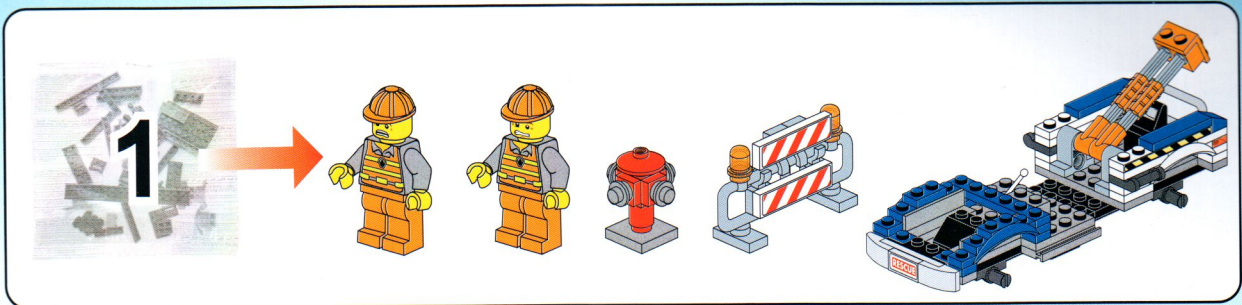
1109

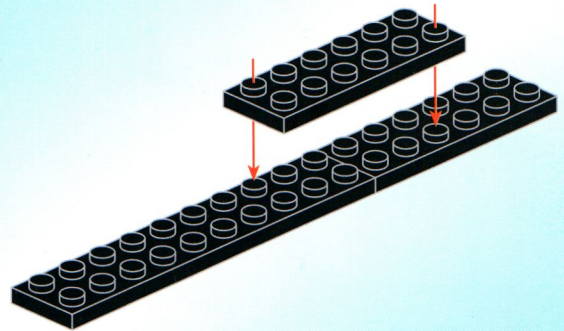
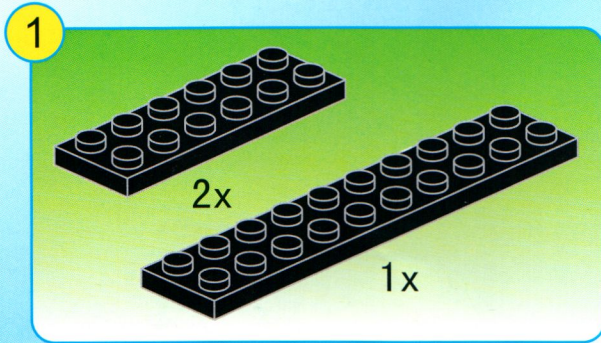
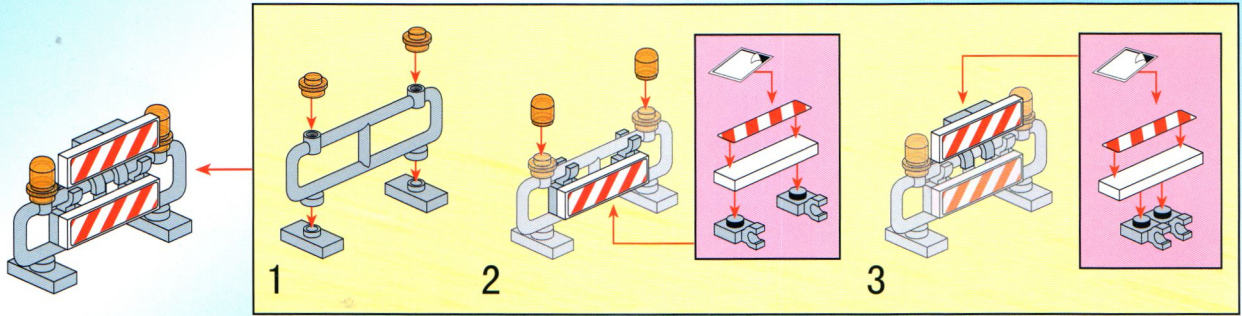
AGES: 6+

Minifigs: x2

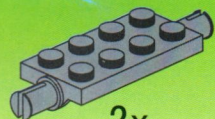
PCS: 210



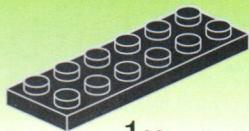




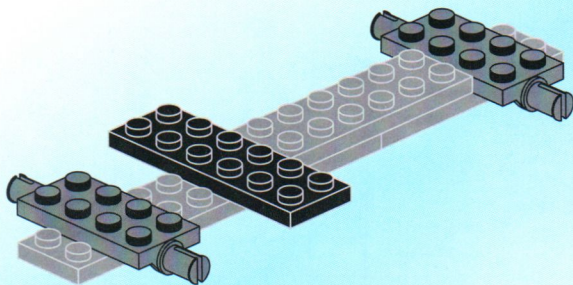
2



2x



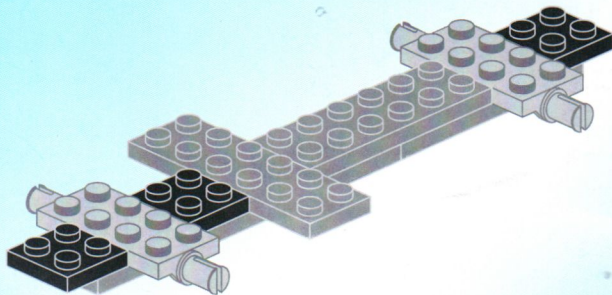
1x



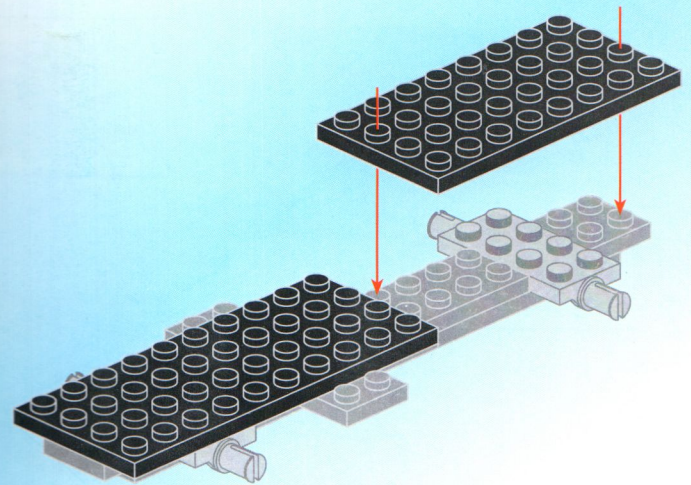
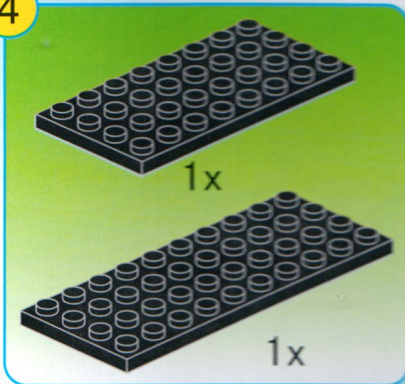
3



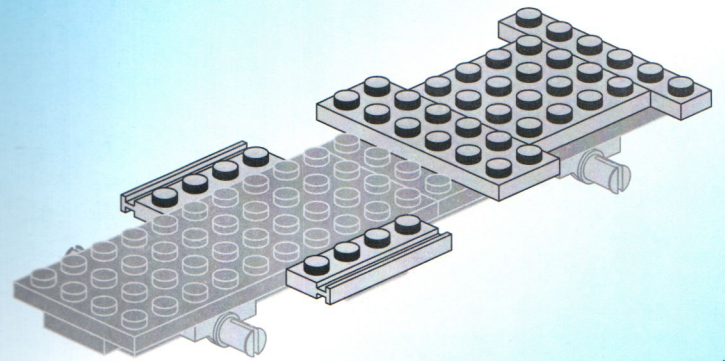
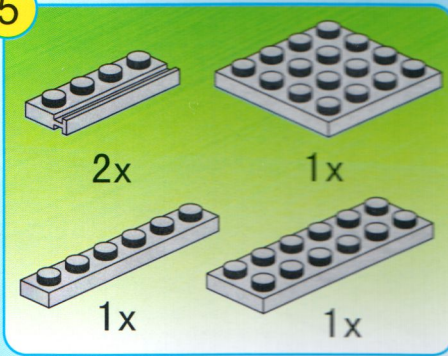
3x



4

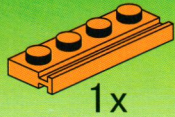


5



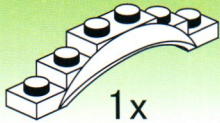
6

2x

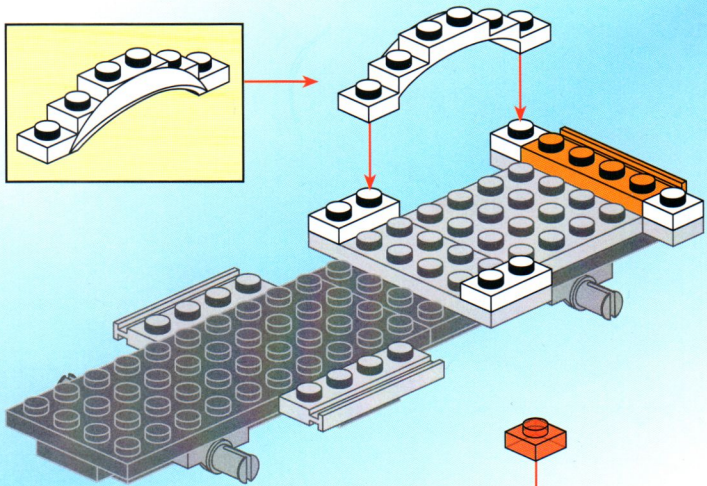
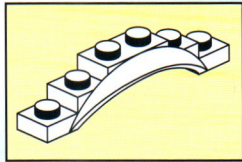


1x

2x

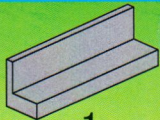


1x



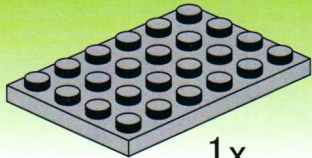
7

2x

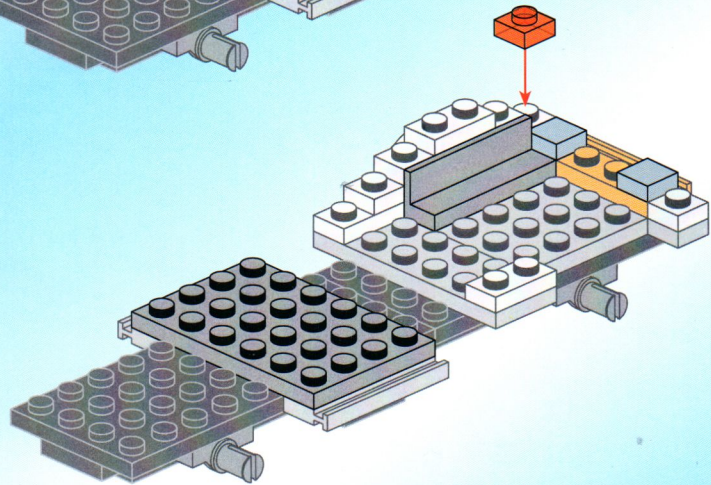


1x

1x



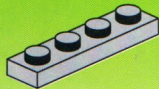
1x



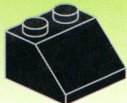
8



2x



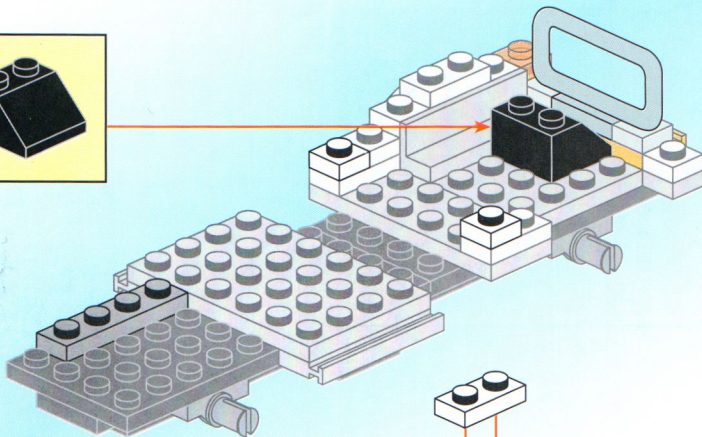
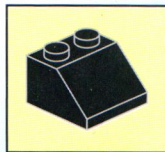
1x



1x



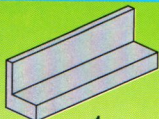
1x



9



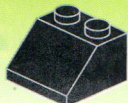
1x



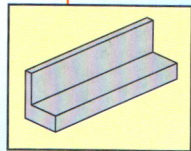
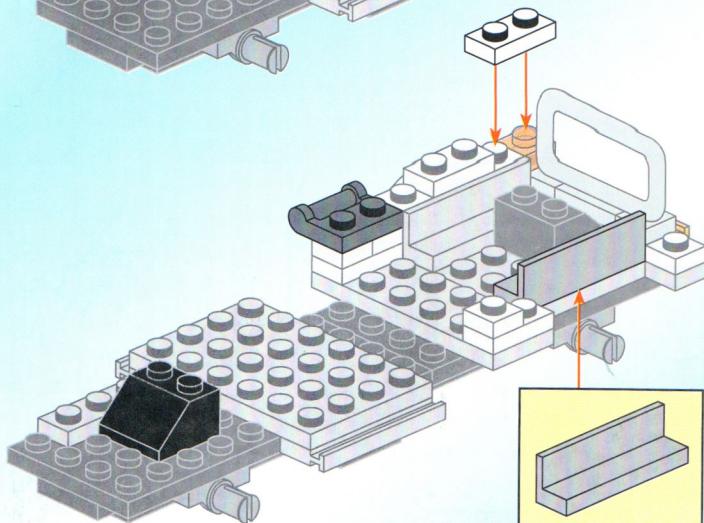
1x



1x



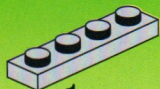
1x



10



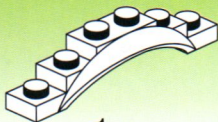
1x



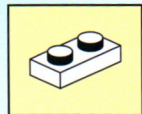
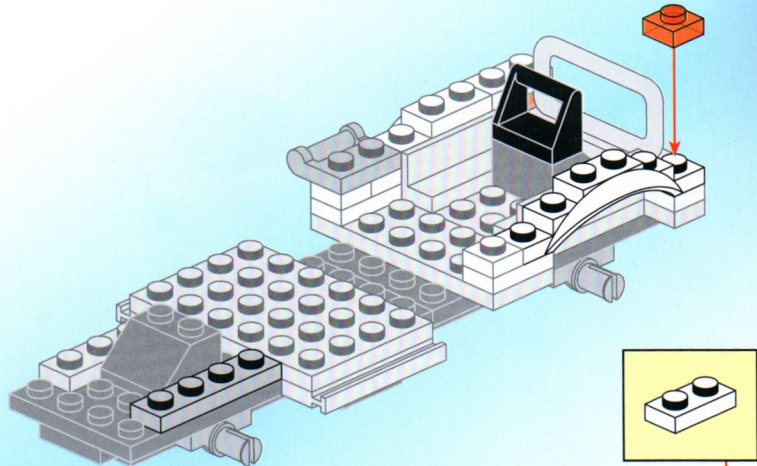
1x



1x



1x



11



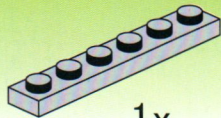
1x



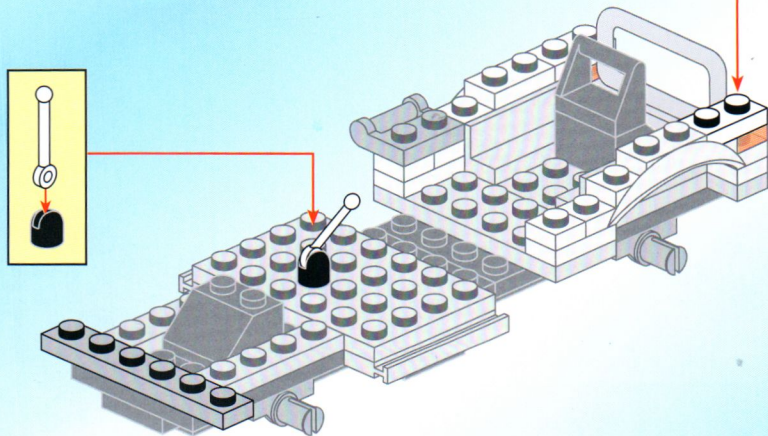
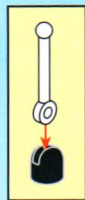
1x



1x



1x



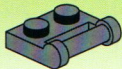
12



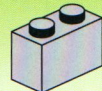
2x



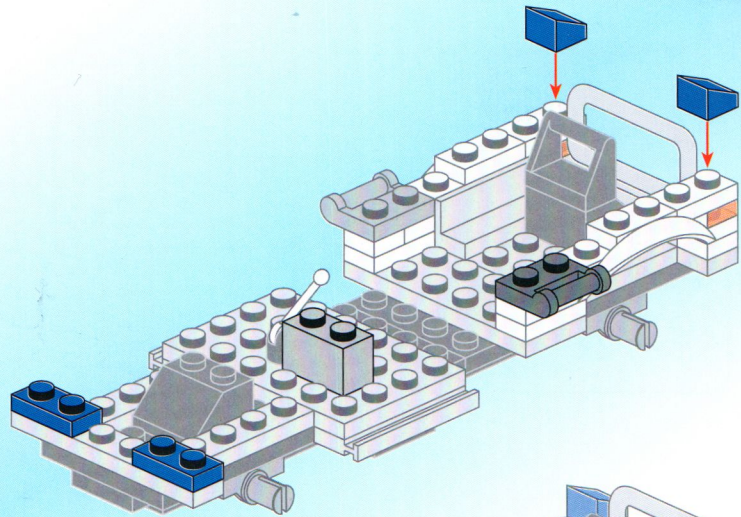
2x



1x



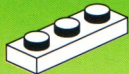
1x



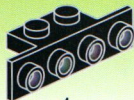
13



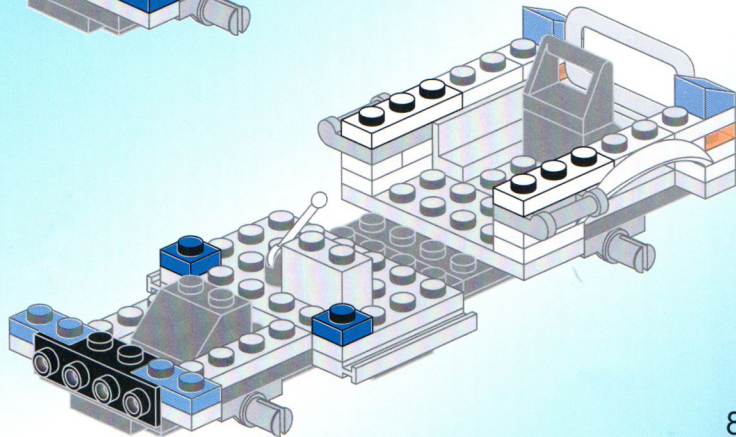
2x



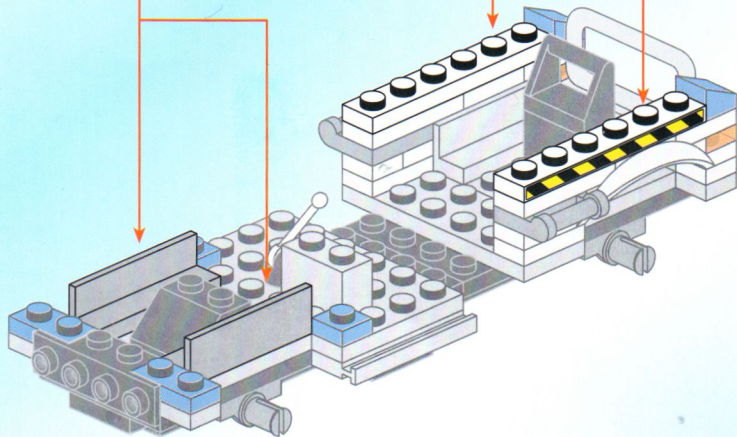
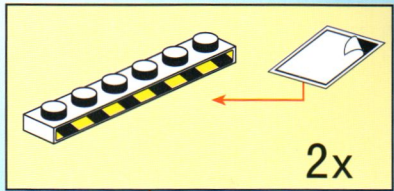
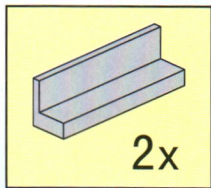
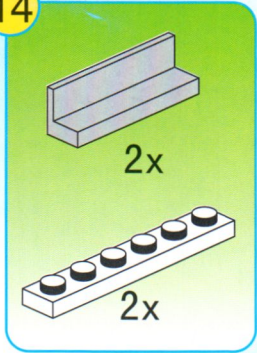
2x



1x



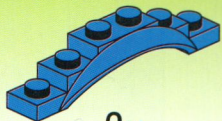
14



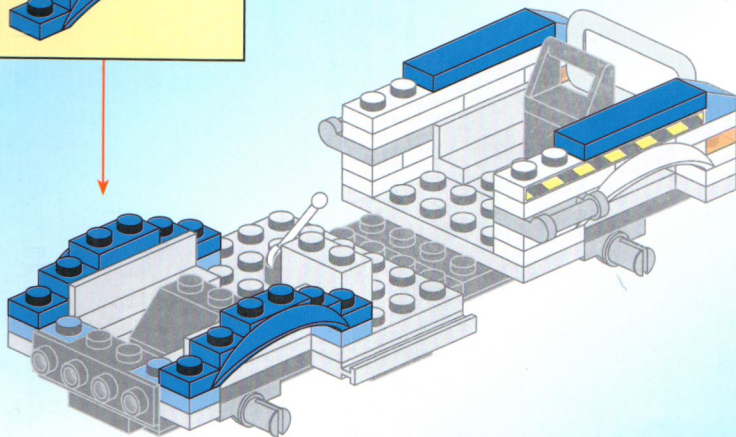
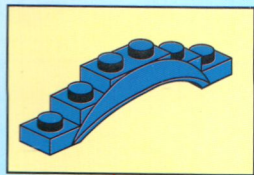
15



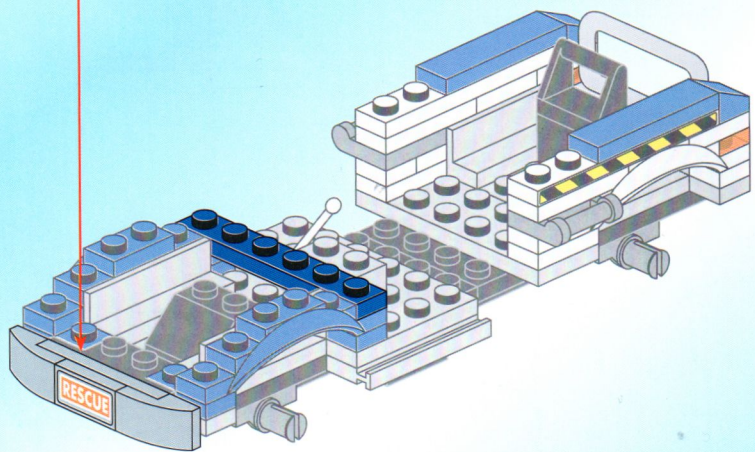
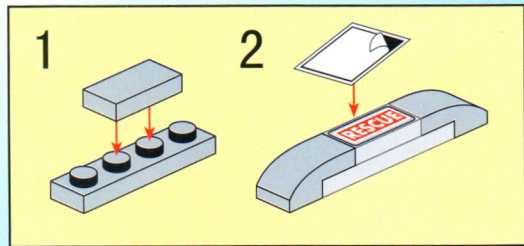
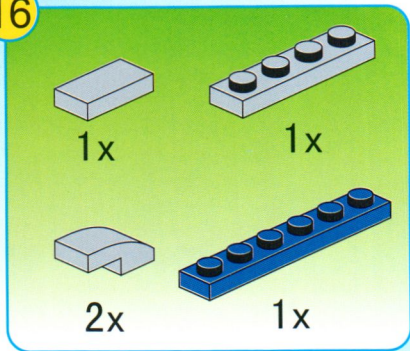
2x



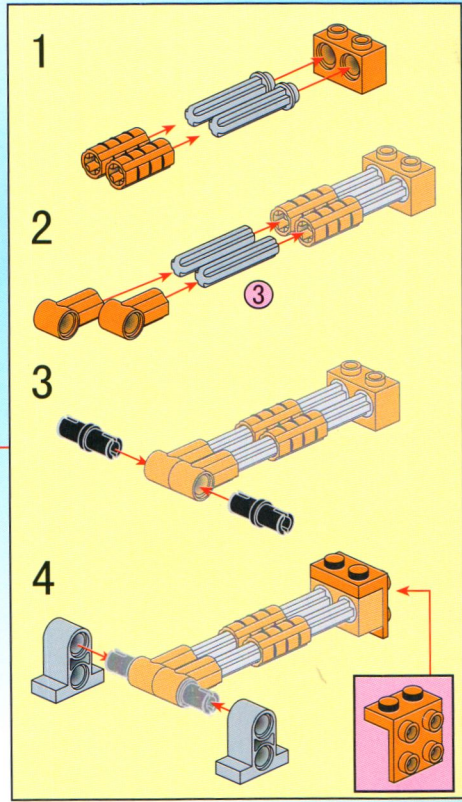
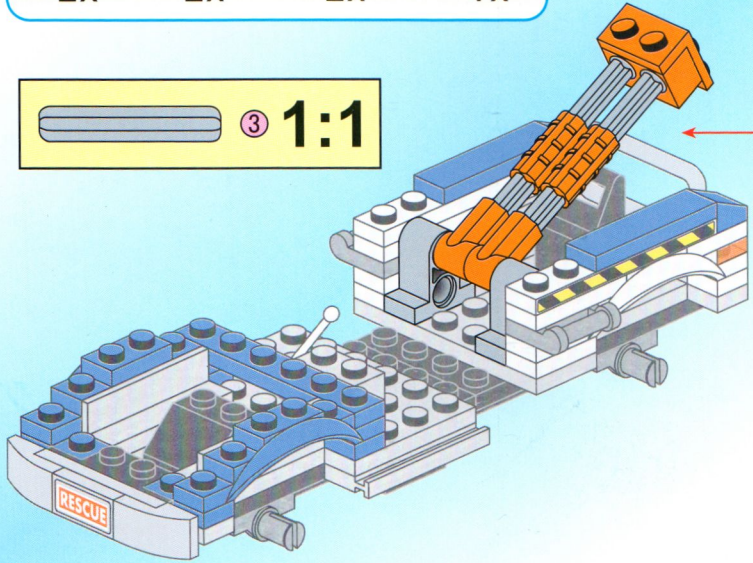
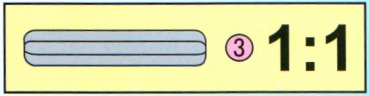
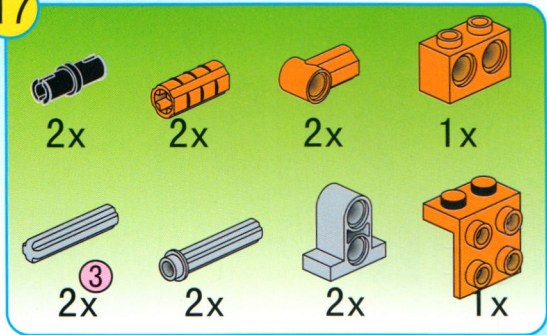
2x

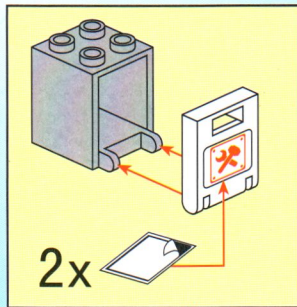
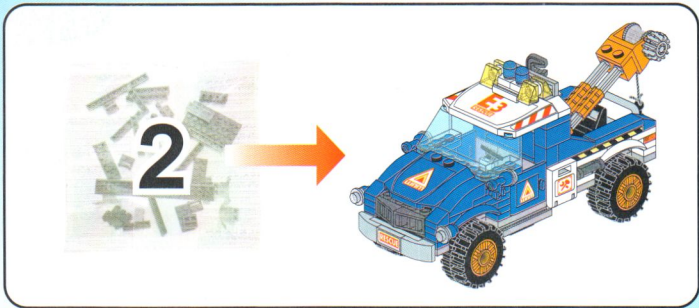


16

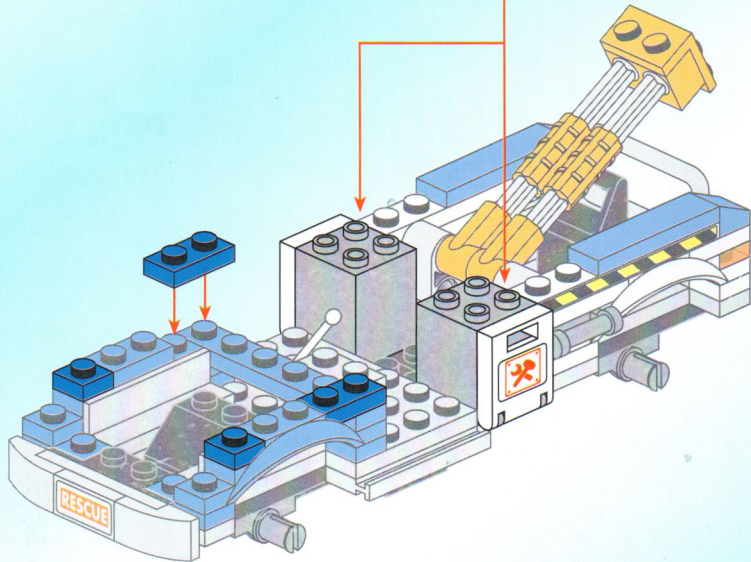
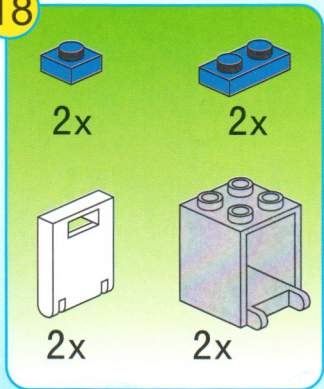


17

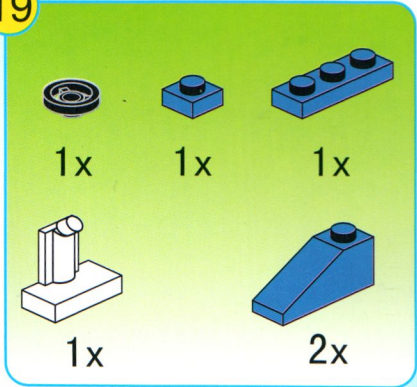





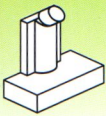
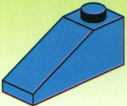


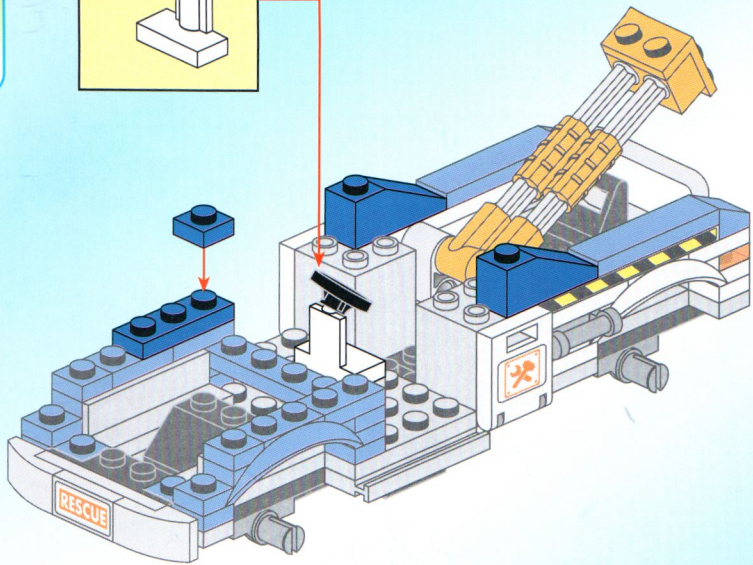
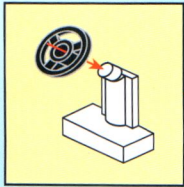
18



19



1x  1x  1x 
1x  2x 



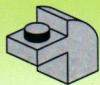
20



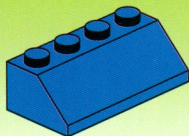
2x



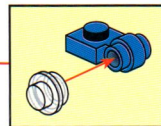
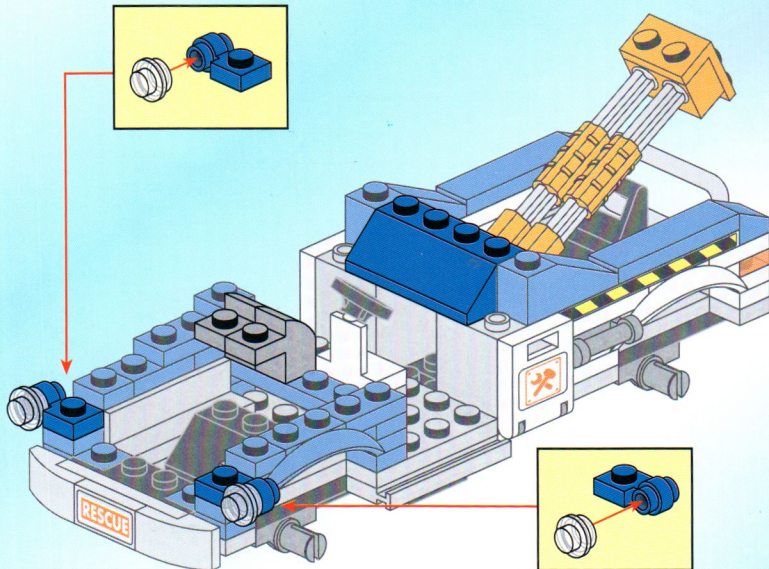
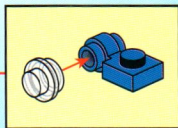
2x



2x



1x



21



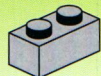
2x



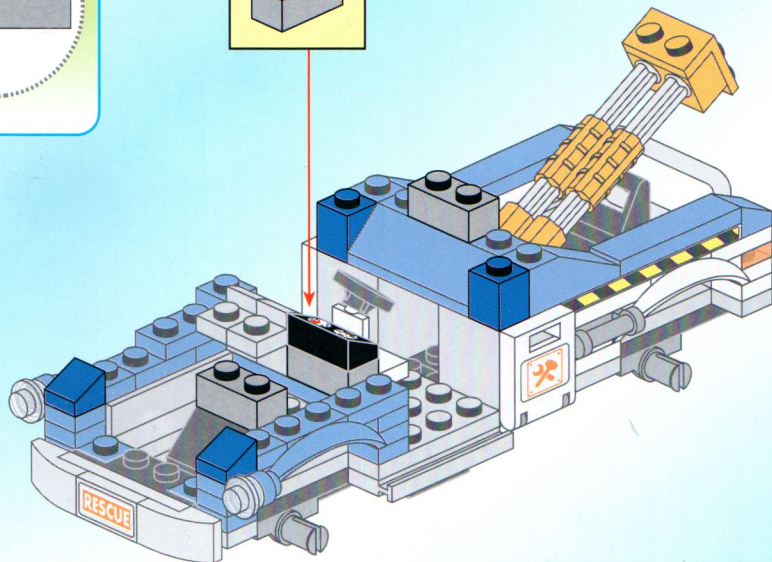
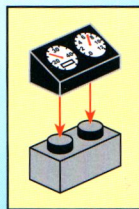
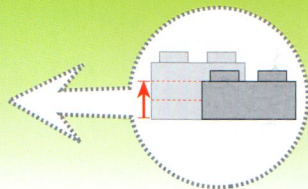
1x



2x



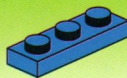
3x



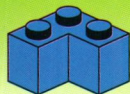
22



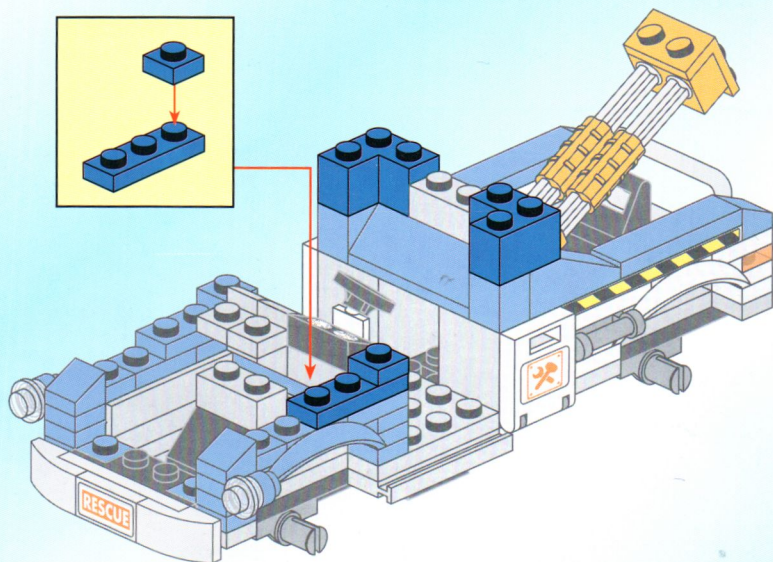
1x



1x



2x



23

Parts list for step 23:

- 2x Small grey Technic connector
- 1x Grey Technic hammer
- 1x Blue Technic panel with handle
- 1x Blue Technic panel with handle
- 1x Grey Technic wrench
- 1x Grey Technic axle connector
- 1x Grey Technic axle connector
- 1x Grey Technic chain
- 1x Grey Technic chain

Assembly sequence for the chain mechanism:

1. Attach the grey Technic chain to the grey Technic axle connector.
2. Attach the grey Technic chain to the grey Technic hammer.
3. Attach the grey Technic chain to the grey Technic wrench.

Inset showing the placement of a blue panel with a warning sign (a triangle with a red border and a white exclamation mark) on the side of the vehicle.

Main assembly diagram for step 23, showing the vehicle with the chain mechanism and the blue panels with warning signs being attached to the side.

Inset showing the placement of a blue panel with a warning sign (a triangle with a red border and a white exclamation mark) on the side of the vehicle.

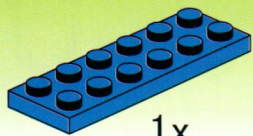
24



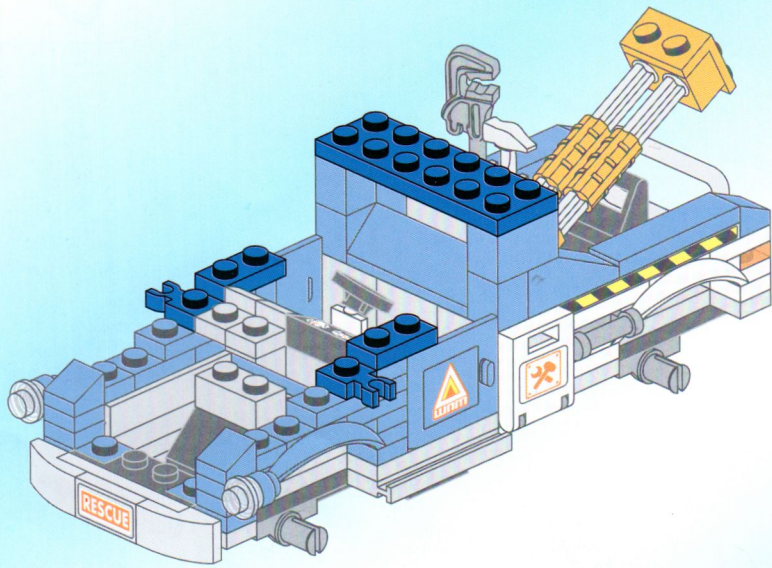
2x



2x



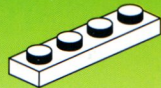
1x



25



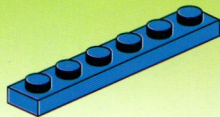
2x



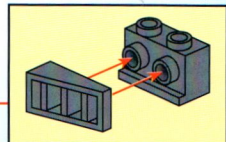
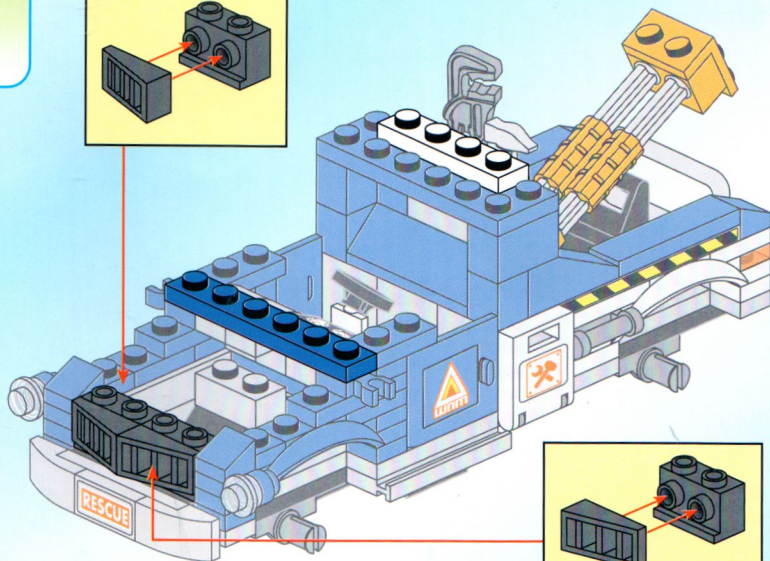
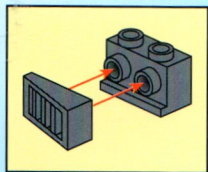
1x




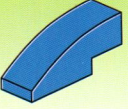


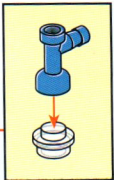
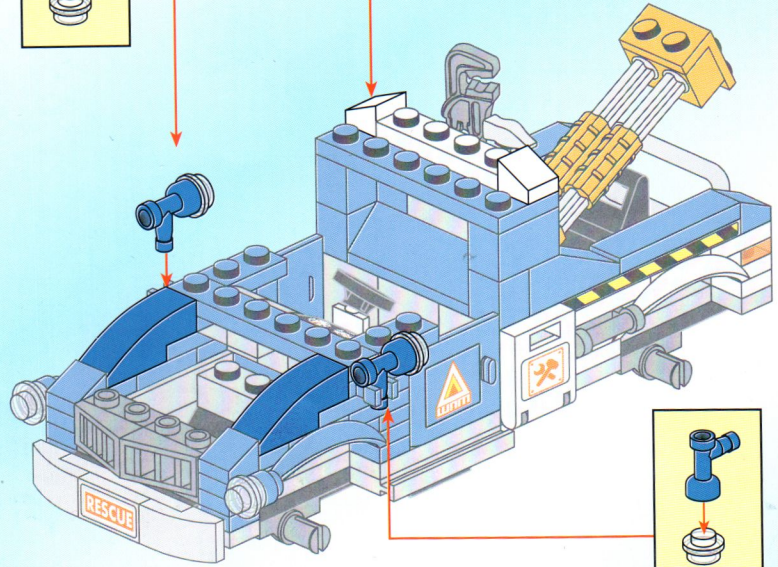
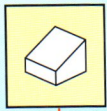
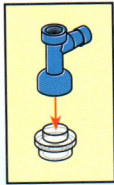
2x



1x



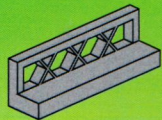
	
2x	2x
	
2x	2x



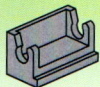
27



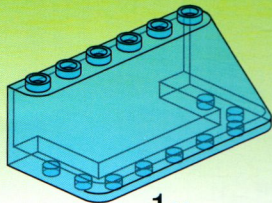
1x



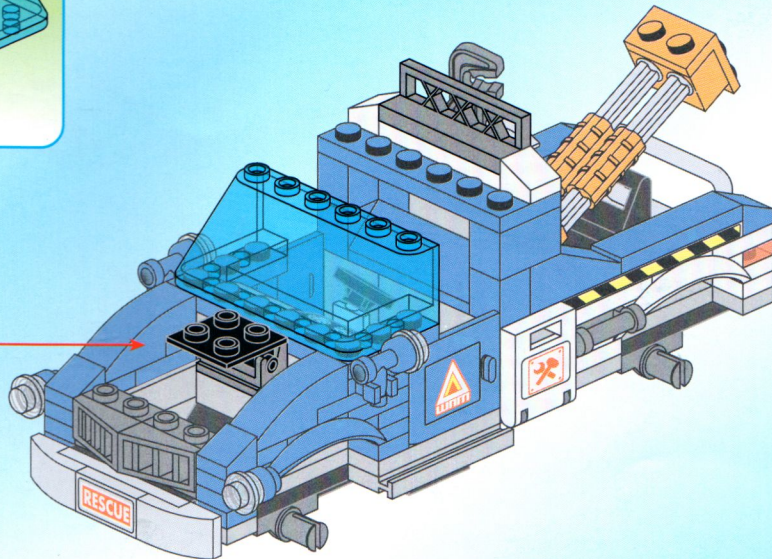
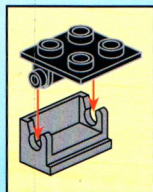
1x



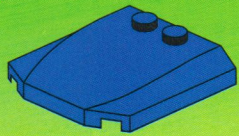
1x



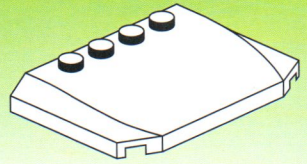
1x



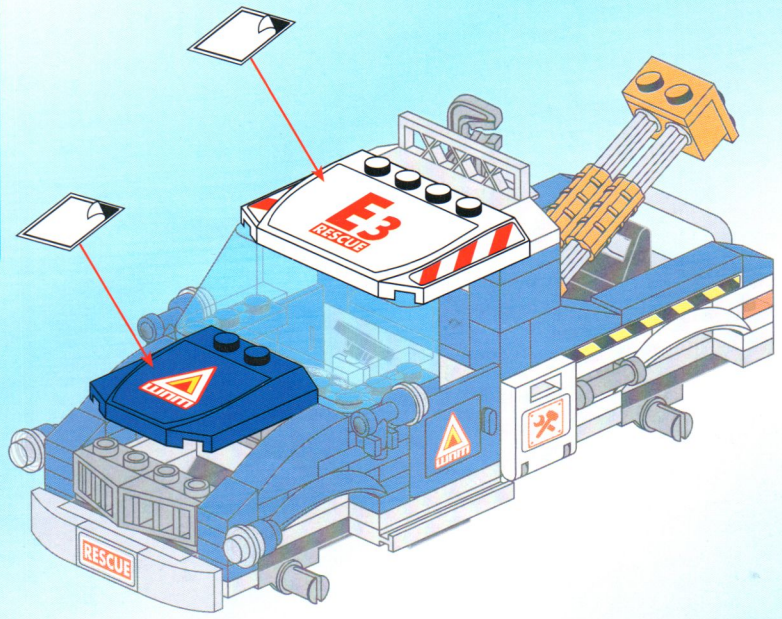
28



1x



1x



29



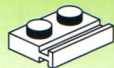
2x



4x

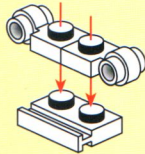


2x

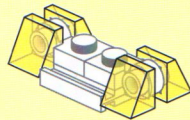


1x

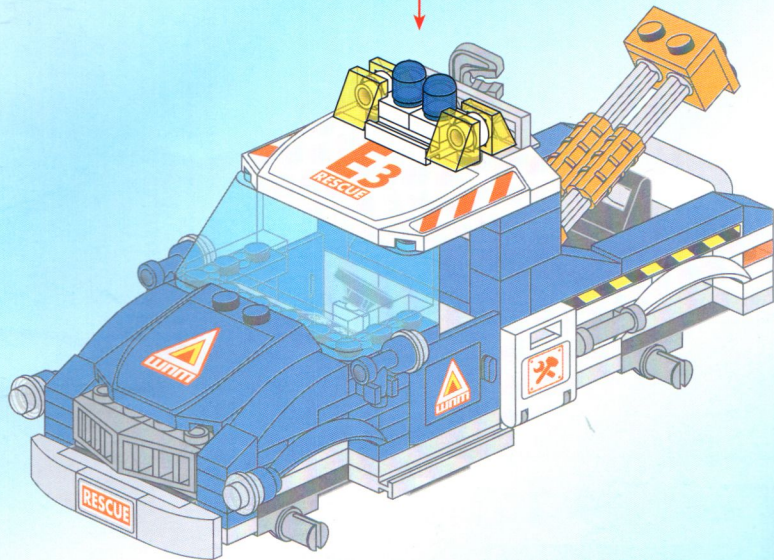
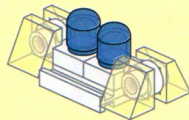
1





2





3

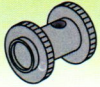


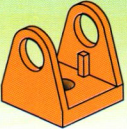
1x  ③

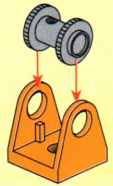
1x 

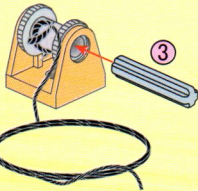
1x 

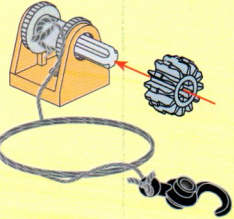
1x  35CM

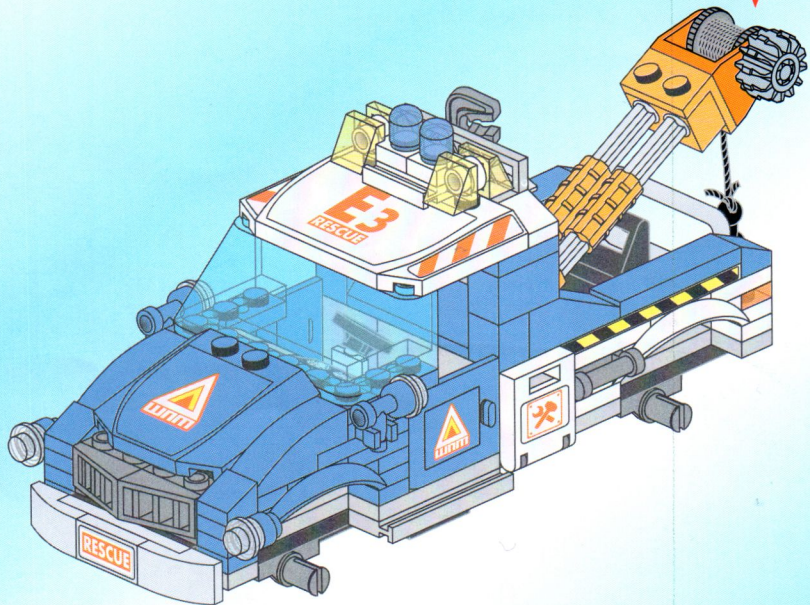
1x 


1x 

1 

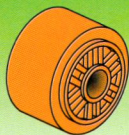
2 

3 



 ③ **1:1**

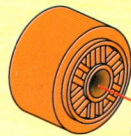
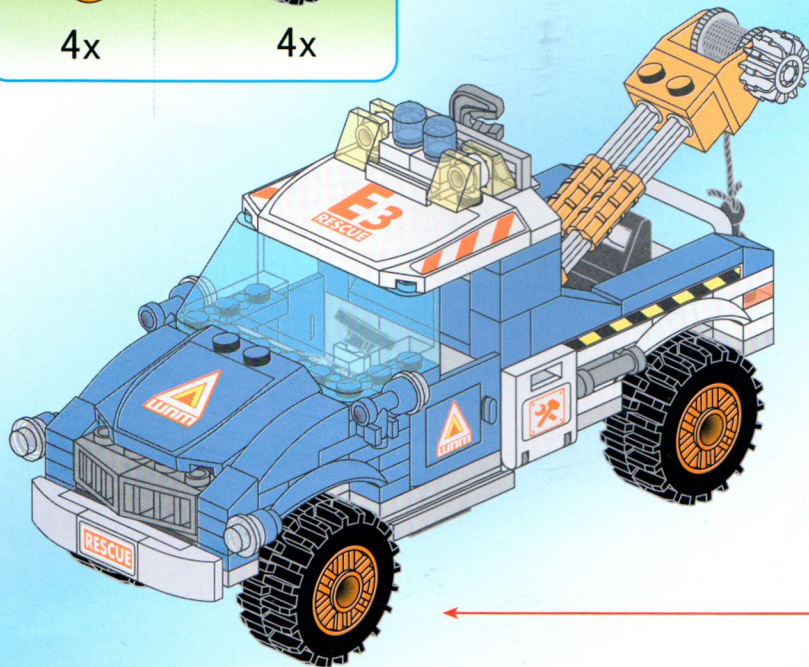
31



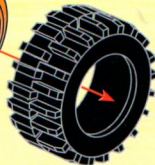
4x



4x



4x





城市系列 City Series



1111



1109



1110



1129



1121



1112



2015
Spring New Arrival
新品上市



启蒙积木 陪伴孩子每一步

www.qmjm.com